



Red: PAINTED ITEMS
Blue: KITS

1. All labeled components are to be assembled before shipment unless otherwise noted.
2. All bearings are to be pressed in with force applied to outer ring only.
3. All hardware to be torqued to specs listed in chart below.
4. Special notes if any are shown below.

| Number | QTY. | DESCRIPTION | Number | QTY. | DESCRIPTION |
|---------|------|--|---------------|------|--|
| 01-1115 | 2 | 3/8 -16 UNC x 2 1/2 Bolt | 07-9942 | 1 | PC COUNTERWEIGHT |
| 01-1258 | 2 | 1/2 -13 UNC x 3/4 Bolt | 07-9943 | 1 | PC COUNTERWEIGHT |
| 01-1550 | 2 | 3/8 -16 UNC x 3 Bolt | 08-5096 | 1 | SEAT RACK BUSHING |
| 01-1552 | 2 | 3/8 -16 UNC x 4 Bolt | 09-1004 | 1 | .500 ID X 3" CLOSED END |
| 01-1553 | 1 | 3/8 -16 UNC x 4 1/2 Bolt | 09-1059 | 1 | 1.188 I.D. X .125" Wall X 25" Grip |
| 01-1564 | 3 | 1/2 -13 UNC x 4 1/2 Bolt | 09-2060 | 4 | 1 1/2 X 3 11 GA FRAME PLUG |
| 01-1565 | 1 | 1/2 -13 UNC x 5 Bolt | 09-2090 | 1 | 2 X 3 X 11 GA FRAME PLUG |
| 01-2289 | 1 | 5/8 -11 UNC x 10 1/4 Bolt | 09-3078 | 2 | BLACK HOLE PLUG MP-1093 |
| 01-4035 | 2 | 1/4 -20 UNC x 1 1/4 Wiz Lock Bolt | 09-5046 | 4 | Nitro Plus Footpad |
| 01-4038 | 1 | BOLT BH , 1/2 -13 x 2 1/2" | 09-8000 | 1 | Belt Keeper |
| 01-4058 | 4 | BOLT BH , 1/2 -13 x 4" ZINC | 09-8018 | 2 | GUIDE ROD BUSHING |
| 02-1060 | 2 | BOLT BH , 1/4 -20 x 2 1/4" | 09-8025 | 1 | VINYL CAP 1" ID X 1/2" LONG RED |
| 02-2290 | 1 | 1/4 -20 UNC x 1 1/4" FLAT HEAD SC SCREW SS | 09-8330 | 1 | REDIRECTIONAL PULLEY 4" |
| 02-3015 | 2 | SELF THREADING x 3/4" LENGTH ROUND HEAD PHILLIPS SCREW | 09-9515 | 1 | GRIP CAP 1.280 ID (FOR 1 1/4 BAR) |
| 02-3055 | 2 | SCREW, SET, 1/4 -28 UNF x 1/4 | 09-9545 | 1 | GRIP RING 1.313 ID (FOR 1 1/4" BAR) |
| 02-9210 | 2 | 3/8 -16 UNC x 1 Bolt | 09-9600 | 1 | TUBE INSERT 1.010 ID PN3045-4-1 |
| 02-9250 | 1 | 3/8 -16 UNC x 2 1/4 Bolt | 10-1022 | 1 | Extension Spring |
| 03-1035 | 3 | 3/8" Lock Nut | 10-1025 | 1 | SPRING, TORSION |
| 03-1055 | 8 | 1/2" Nylon Insert Lock Nut-Thin | 12-1001 | 1 | SEAT INDICATOR BLACK |
| 03-1067 | 1 | 5/8" Lock Nut | 12-1026 | 2 | DECAL, KEEP HANDS AWAY |
| 03-2020 | 2 | 1/4" Lock Nut | 12-1104 | 1 | SEAT ADJUSTMENT DECAL 1-11 |
| 03-4290 | 2 | 1/4" Whiz Nut | 12-1146 | 1 | SEAT ADJ DECAL 1 |
| 03-5112 | 1 | 3/8" Jam Nut | 12-1380 | 1 | DECAL PATIENT MEDFIT MADE IN USA |
| 04-5070 | 6 | RUBBER WEIGHT STACK BUMPER | 12-5611 | 1 | Nautilus Transfer Decal - Large BLACK |
| 04-5206 | 10 | WASHER, FLAT, 3/8" SAE | 12-6046 | 1 | Made In USA - Seat Frames |
| 04-5207 | 5 | WASHER, FLAT, 1/2" SAE | 12-6060 | 1 | PLACARD & SHIELD FRONT S9PC |
| 04-5225 | 2 | 1/4" Internal Loc Washer | 12-6071 | 1 | PLACARD & SHIELD BACK BF601 S9 |
| 05-5105 | 2 | .500 ID Bushing (IGUS Replacement) | 12-6115 | 1 | Decal, Parts Diagram EVO PC |
| 06-8180 | 1 | Snap Ring, 1/2" External | 12-7050 | 1 | EVO Weight Selector Pin Decal |
| 06-8275 | 6 | Snap Ring, 17mm Heavy External | 17-1260 | 2 | STANDARD 45" GUIDE ROD |
| 07-5032 | 1 | SEAT TRACK | 18-0005 (63") | 1 | MECTROL BELT 1" (63") |
| 07-5033 | 1 | SEAT TRACK BACK | 19-1013 | 4 | TAPE DBL SIDED 2 3/4" WIDE |
| 07-5034 | 3 | SEAT ROLLERS | 19-1291 | 1 | SERIAL NO. DECAL |
| 07-5064 | 6 | 6203 RADIAL BEARING | 56-0429 | 2 | Movement Arm Sleeve Spacer |
| 07-8230 | 1 | STANDARD SEAT CLEVIS PIN | 56-0558 | 1 | Foot Guard, SS, 10" |
| 07-8363 | 2 | IDLER PULLEY SPACER | 57-0611 | 1 | Pocket, Peel & Stick, Cardio Schematic |
| 07-8686 | 1 | STANDARD SEAT 0 degree | 91-999 | 1 | Paint (1.5 lbs) |
| 07-8982 | 2 | STRAP CLAMP END (5/16 HOLES) | 95-0765 | 1 | Kit 9, EVO Shields |
| 07-9269 | 1 | WEIGHTSTACK SPACER | BF601 | 1 | SIDE FRAME |
| 07-9350 | 1 | MOVEMENT ARM STOP | BSF651 | 1 | ARM BRACE ASSEMBLY |
| 07-9376 | 3 | SEAT ROLLER SLEEVE | LK631 | 1 | BELT CLAMP |
| 07-9607 | 2 | MOLDED BEARING CUP | MA657 | 1 | S5PC MOVEMENT ARM |
| 07-9771 | 2 | IDLER PULLEY SPACER | MA664 | 1 | 3D PREACHER CURL ARM |
| 07-9820 | 1 | Long Bearing Spacer | OPT-WT-26 | 1 | EVO 200 lb Weight System |
| 07-9849 | 1 | MOLDED BEARING CAP, Ti SERIES | SE613 | 1 | RELEASE HANDLE |
| 07-9850 | 2 | 1" BEARING MOLDED FLANGE | SF652 | 1 | PREACHER CURL SEAT FRM |
| 07-9873 | 1 | MOLDED BEARING CAP WITH HOLE | UP721 | 1 | SLIPCOVER FOR UP9907 |
| 07-9923 | 1 | PC OUTER WORKBOX PLATE | UP8080 | 2 | TAPERED SEAT PAD |
| | | | UP9907 | 1 | ELBOW PAD UPH |

Customer Service & Parts 800/ 235-2233
General Parts Requests: parts@medfitsys.com
Warranty Field Service Requests: servicerequest@medfitsys.com
Med-Fit Systems, Inc. 800/ 831-7665

www.medfitsystems.com



EVO Preacher Curl
S9PC

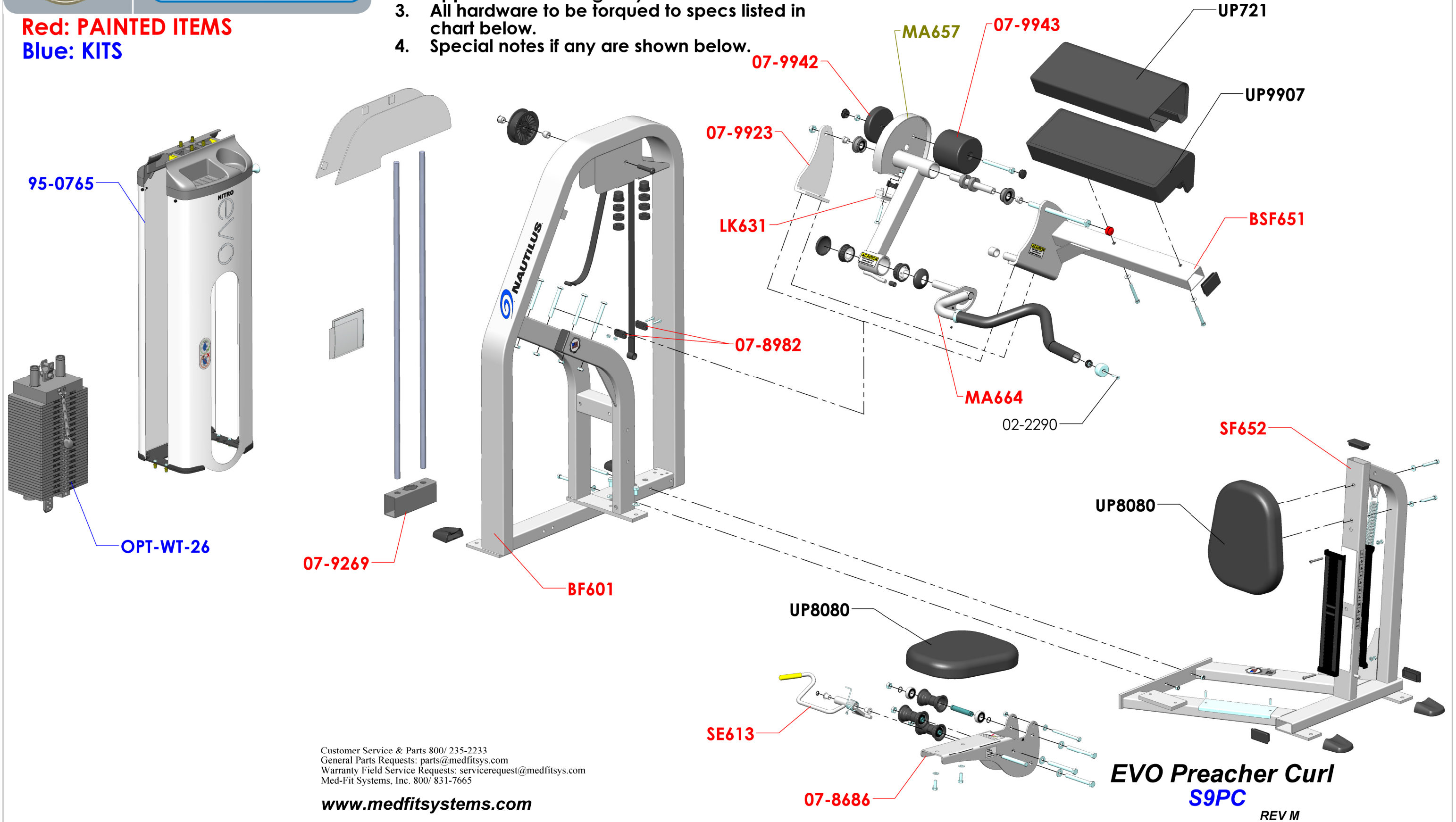
| Bolt Torque Specifications | | |
|----------------------------|-----------------|-----------------|
| Size | Grade 5 | Grade 8 |
| | Torque (ft-lbs) | Torque (ft-lbs) |
| 1/4-20 | 8 | 12 |
| 1/4-28 | 10 | 14 |
| 5/16-18 | 17 | 25 |
| 3/8-16 | 30 | 45 |
| 7/16-14 | 50 | 70 |
| 1/2-13 | 75 | 110 |
| 1/2-20 | 90 | 120 |
| 5/8-11 | 150 | 220 |
| 5/8-18 | 180 | 240 |

REV M



Red: PAINTED ITEMS
Blue: KITS

1. All labeled components are to be assembled before shipment unless otherwise noted.
2. All bearings are to be pressed in with force applied to outer ring only.
3. All hardware to be torqued to specs listed in chart below.
4. Special notes if any are shown below.



Customer Service & Parts 800/ 235-2233
 General Parts Requests: parts@medfitsys.com
 Warranty Field Service Requests: servicerequest@medfitsys.com
 Med-Fit Systems, Inc. 800/ 831-7665

www.medfitsystems.com

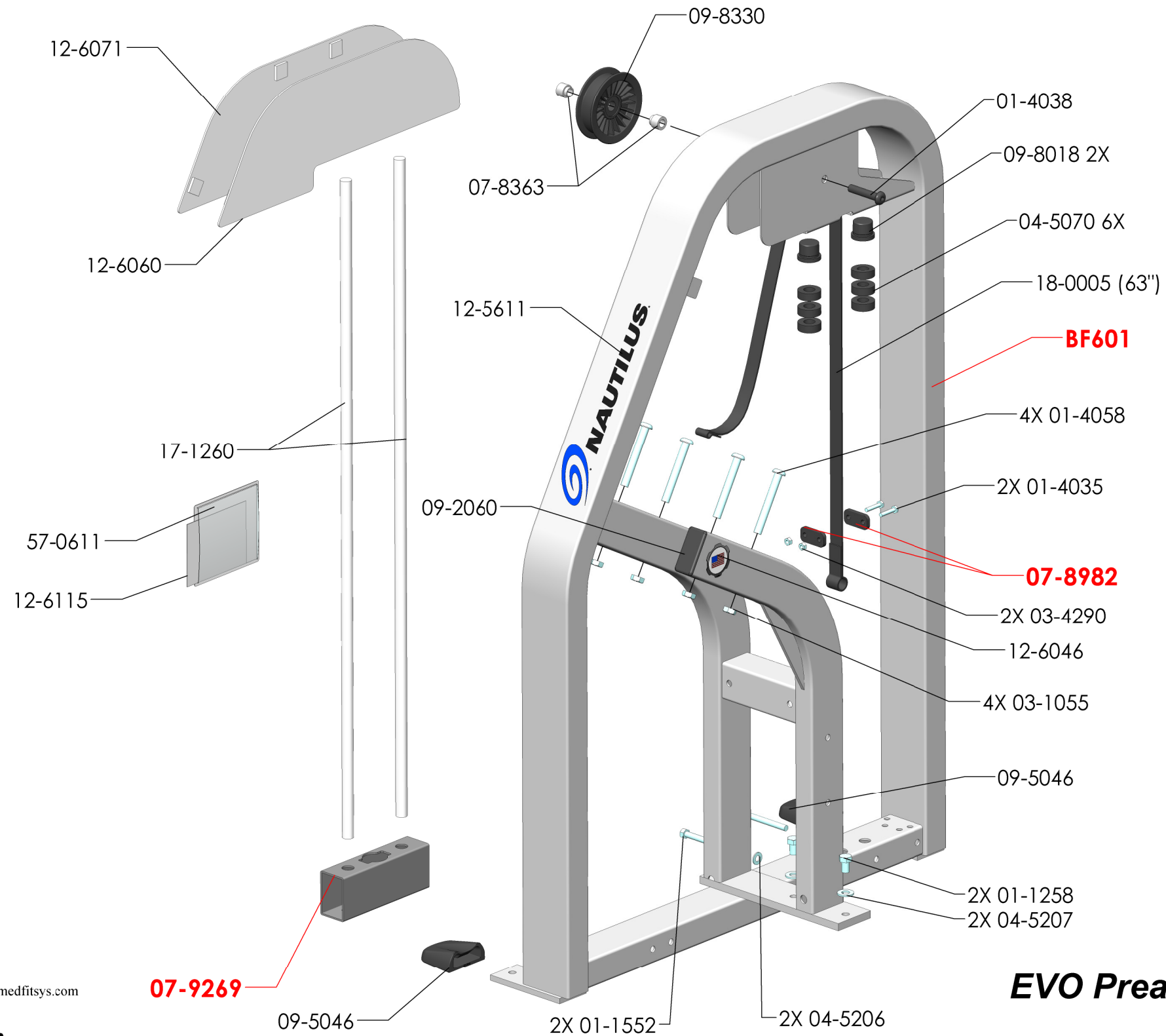
EVO Preacher Curl
S9PC

REV M



Red: PAINTED ITEMS
Blue: KITS

1. All labeled components are to be assembled before shipment unless otherwise noted.
2. All bearings are to be pressed in with force applied to outer ring only.
3. All hardware to be torqued to specs listed in chart below.
4. Special notes if any are shown below.



Customer Service & Parts 800/ 235-2233
 General Parts Requests: parts@medfitsys.com
 Warranty Field Service Requests: servicerequest@medfitsys.com
 Med-Fit Systems, Inc. 800/ 831-7665

www.medfitsystems.com

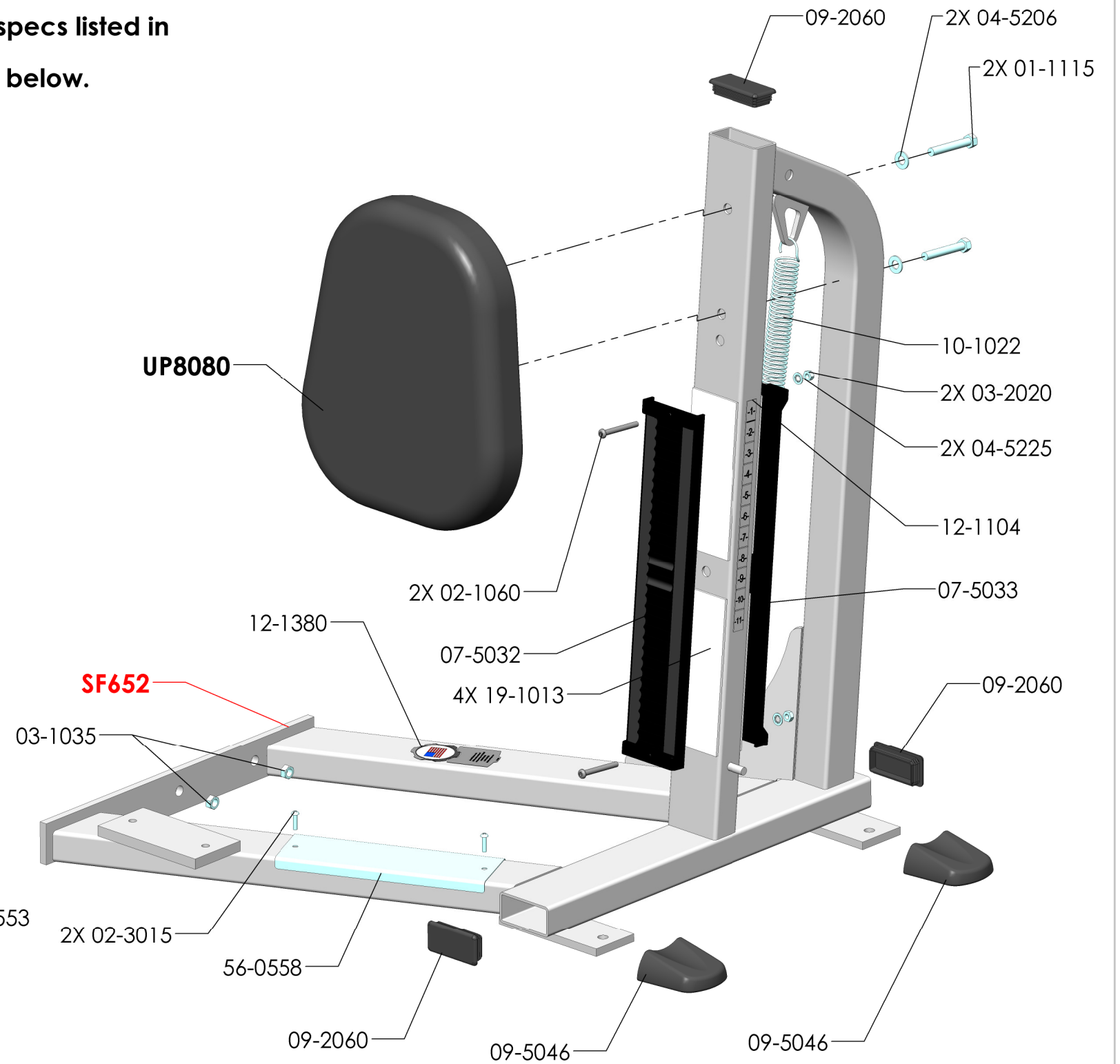
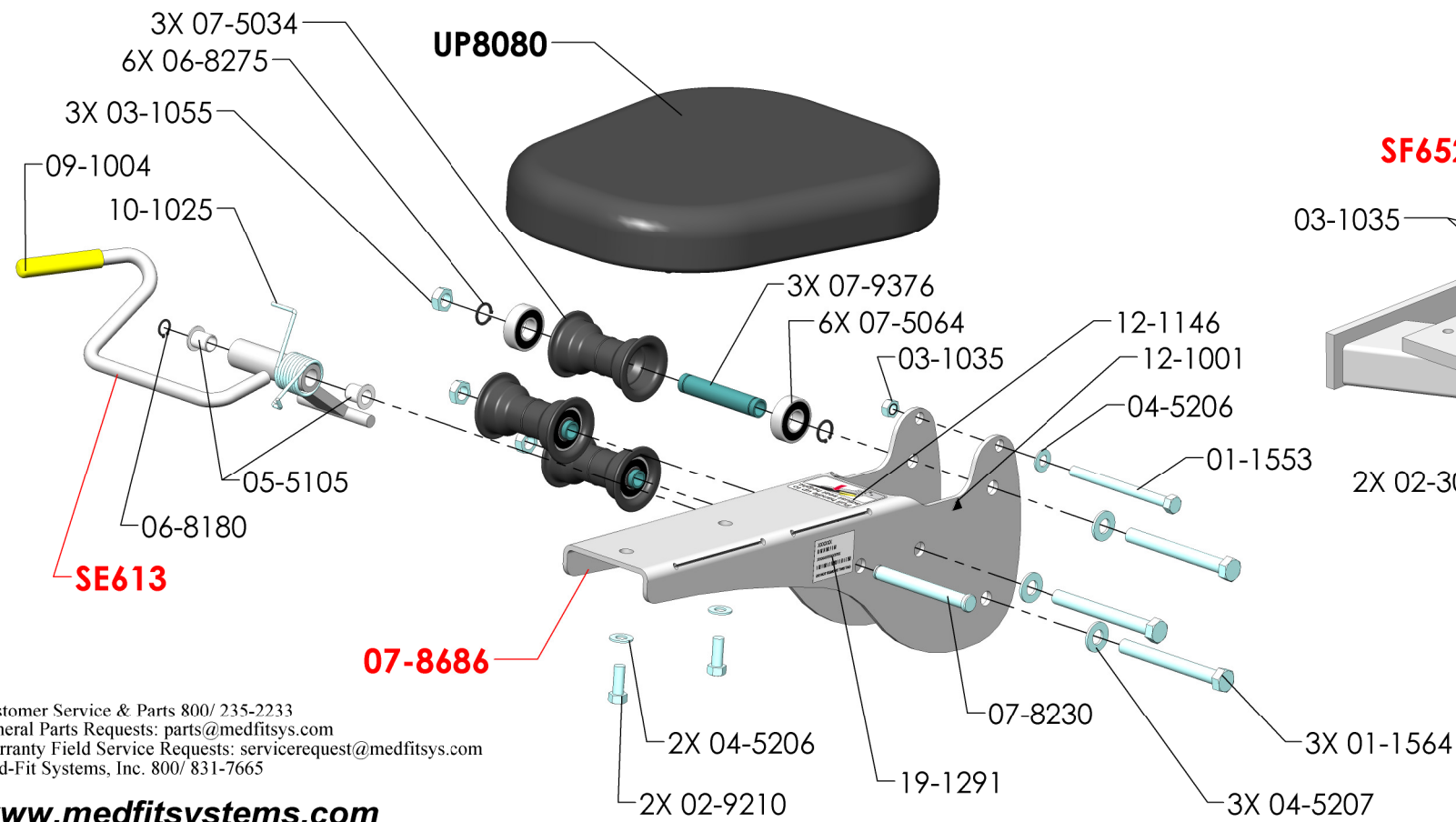
EVO Preacher Curl
S9PC

REV M



Red: PAINTED ITEMS
Blue: KITS

1. All labeled components are to be assembled before shipment unless otherwise noted.
2. All bearings are to be pressed in with force applied to outer ring only.
3. All hardware to be torqued to specs listed in chart below.
4. Special notes if any are shown below.



EVO Preacher Curl
S9PC

Customer Service & Parts 800/ 235-2233
 General Parts Requests: parts@medfitsys.com
 Warranty Field Service Requests: servicerequest@medfitsys.com
 Med-Fit Systems, Inc. 800/ 831-7665

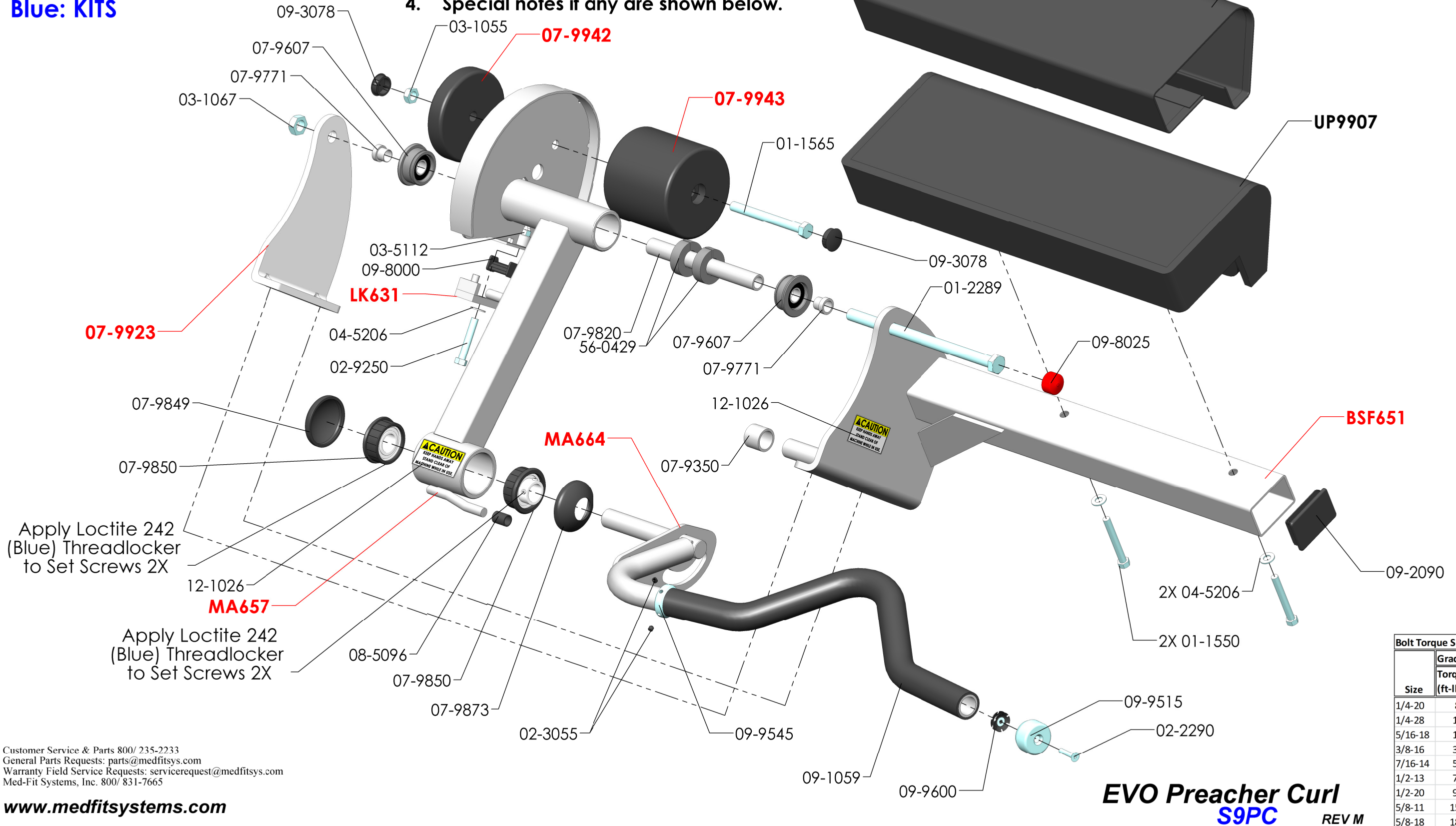
www.medfitsystems.com

REV M



Red: PAINTED ITEMS
Blue: KITS

1. All labeled components are to be assembled before shipment unless otherwise noted.
2. All bearings are to be pressed in with force applied to outer ring only.
3. All hardware to be torqued to specs listed in chart below.
4. Special notes if any are shown below.



Customer Service & Parts 800/ 235-2233
 General Parts Requests: parts@medfitsys.com
 Warranty Field Service Requests: servicerequest@medfitsys.com
 Med-Fit Systems, Inc. 800/ 831-7665

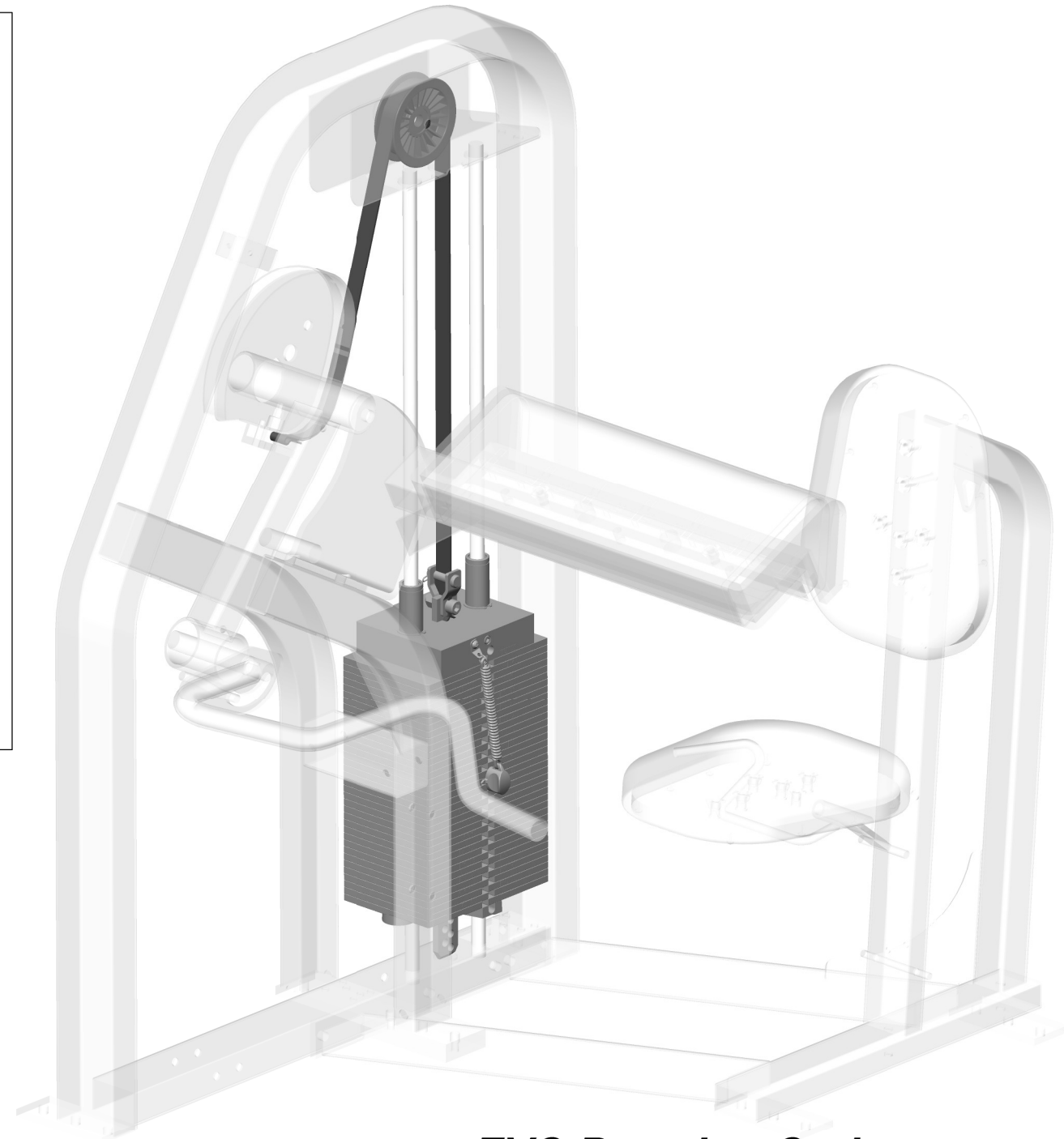
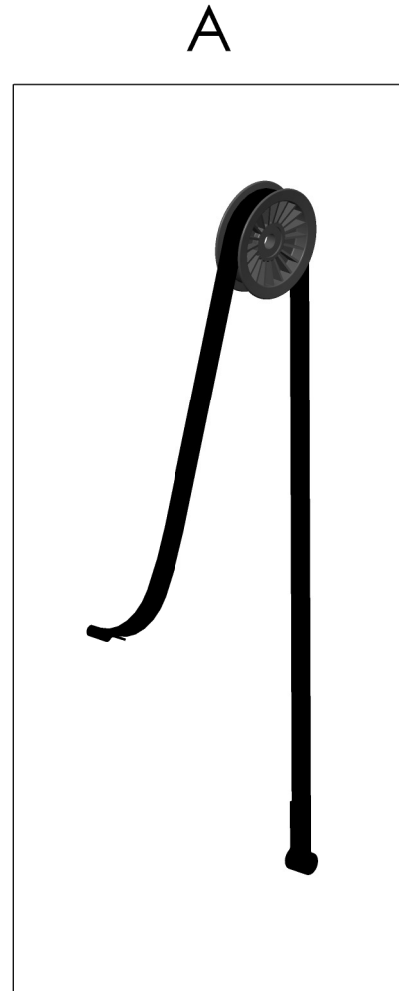
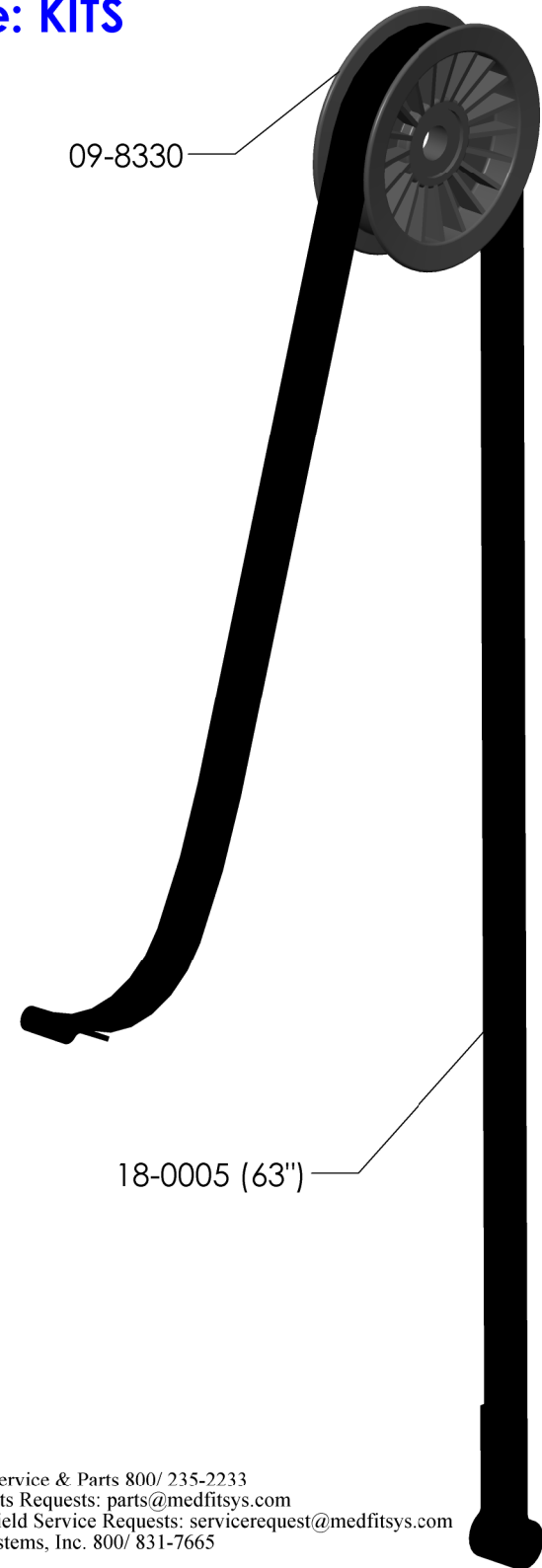
www.medfitsystems.com

| Size | Bolt Torque Specifications | |
|---------|----------------------------|-------------------------|
| | Grade 5 Torque (ft-lbs) | Grade 8 Torque (ft-lbs) |
| 1/4-20 | 8 | 12 |
| 1/4-28 | 10 | 14 |
| 5/16-18 | 17 | 25 |
| 3/8-16 | 30 | 45 |
| 7/16-14 | 50 | 70 |
| 1/2-13 | 75 | 110 |
| 1/2-20 | 90 | 120 |
| 5/8-11 | 150 | 220 |
| 5/8-18 | 180 | 240 |



Red: PAINTED ITEMS
Blue: KITS

1. All labeled components are to be assembled before shipment unless otherwise noted.
2. All bearings are to be pressed in with force applied to outer ring only.
3. All hardware to be torqued to specs listed in chart below.
4. Special notes if any are shown below.



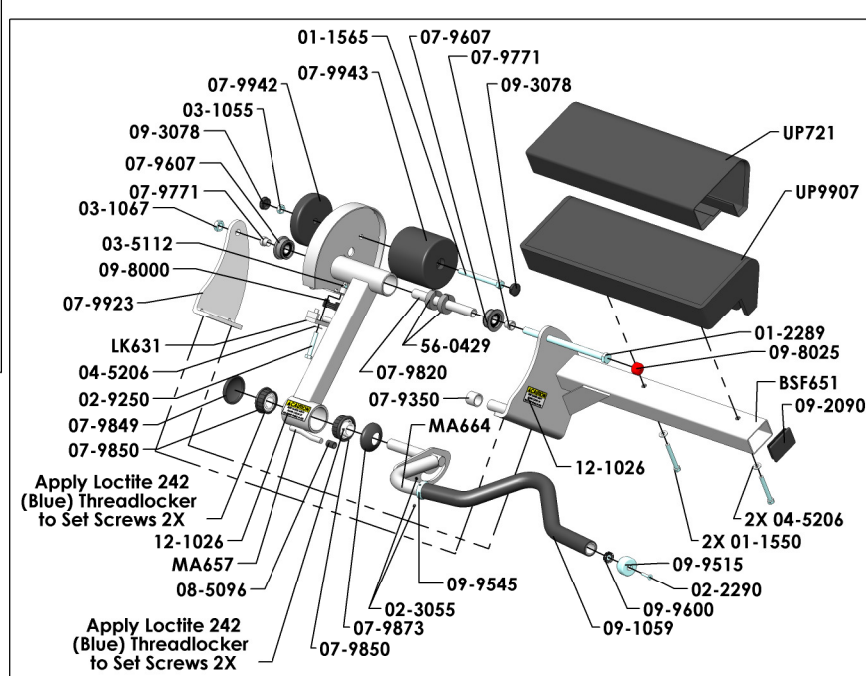
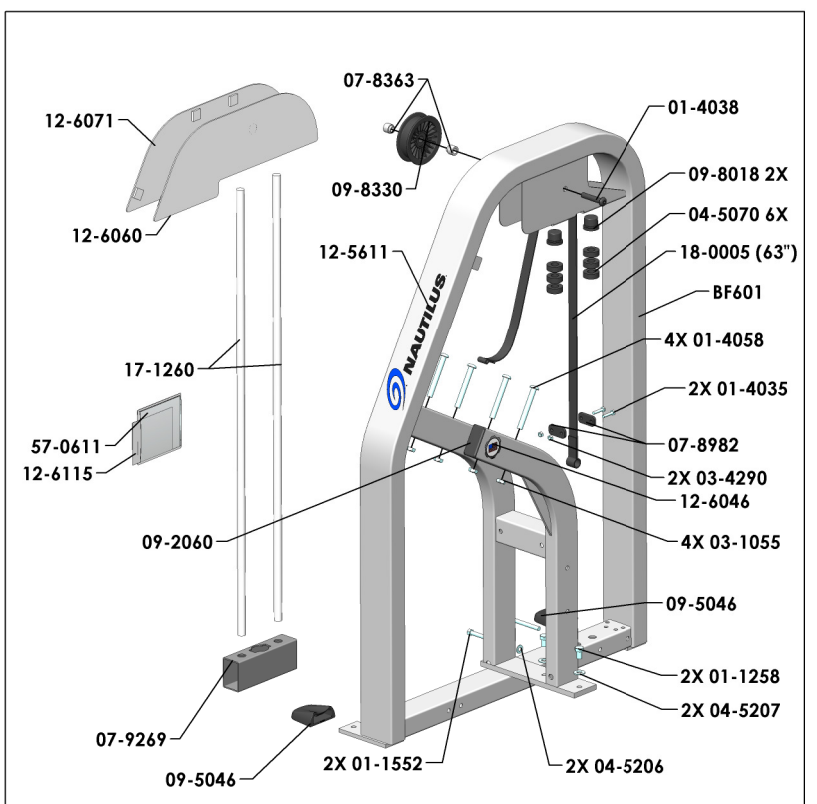
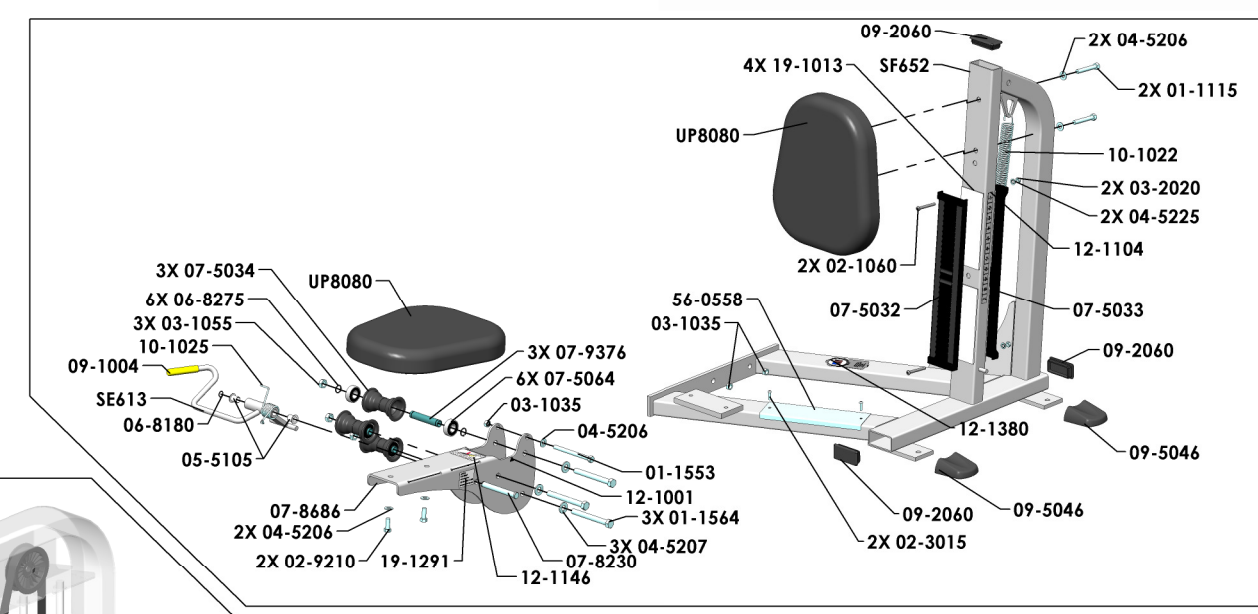
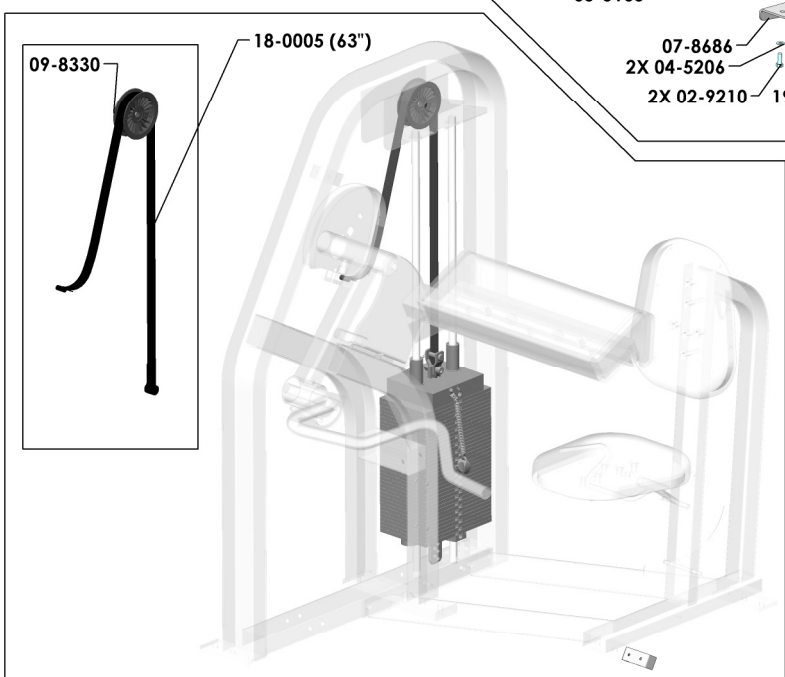
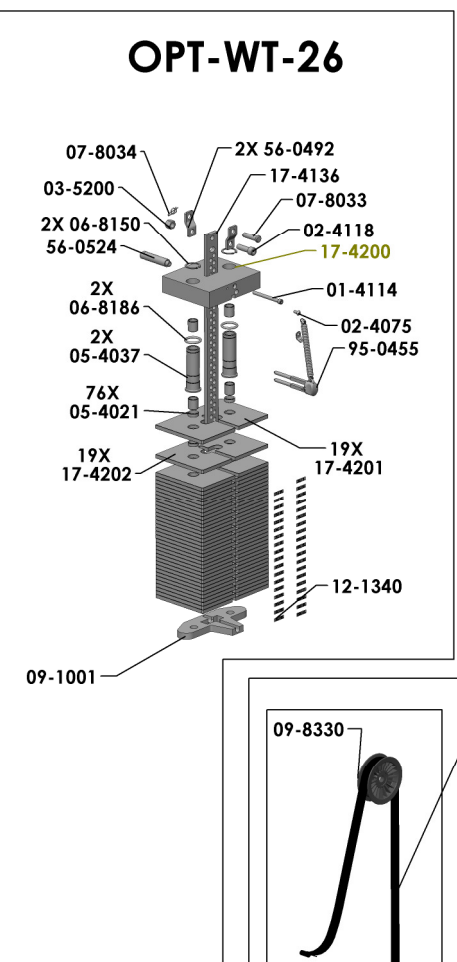
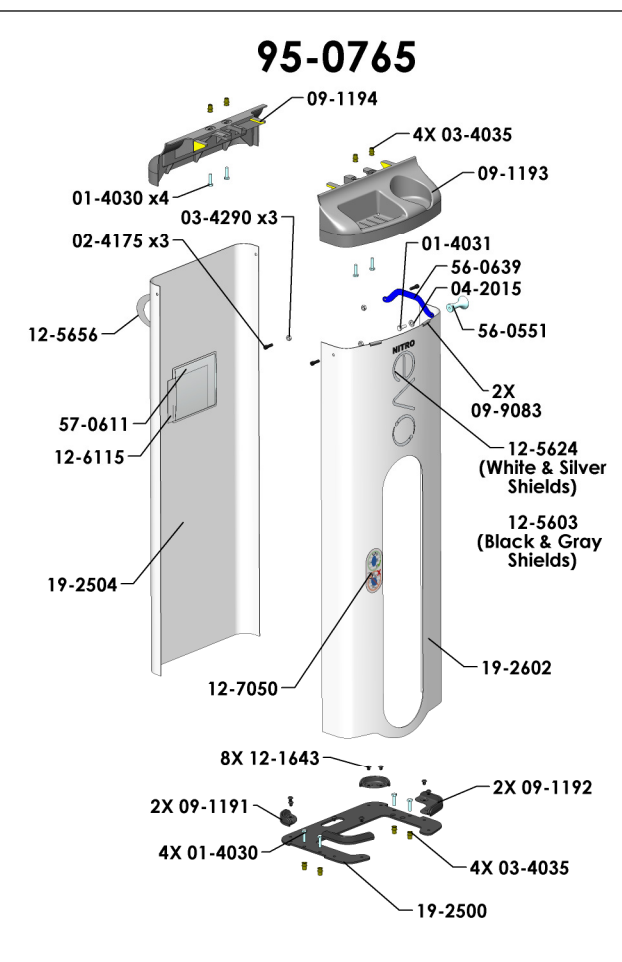
EVO Preacher Curl
S9PC

Customer Service & Parts 800/ 235-2233
General Parts Requests: parts@medfitsys.com
Warranty Field Service Requests: servicerequest@medfitsys.com
Med-Fit Systems, Inc. 800/ 831-7665

www.medfitsystems.com

REV M

| Number | Qty. | DESCRIPTION |
|---------------|------|--|
| 01-1115 | 2 | 3/8 -16 UNC x 2 1/2 Bolt |
| 01-1258 | 2 | 1/2 -13 UNC x 3/4 Bolt |
| 01-1550 | 2 | 3/8 -16 UNC x 3 Bolt |
| 01-1552 | 2 | 3/8 -16 UNC x 4 Bolt |
| 01-1553 | 1 | 3/8 -16 UNC x 4 1/2 Bolt |
| 01-1564 | 3 | 1/2 -13 UNC x 4 1/2 Bolt |
| 01-1565 | 1 | 1/2 -13 UNC x 5 Bolt |
| 01-2289 | 1 | 5/8 -11 UNC x 10 1/4 Bolt |
| 01-4035 | 2 | 1/4 -20 UNC x 1 1/4 Wiz Lock Bolt |
| 01-4038 | 1 | BOLT BH, 1/2 -13 x 2 1/2" |
| 01-4058 | 4 | BOLT BH, 1/2 -13 x 4" ZINC |
| 02-1060 | 2 | BOLT BH, 1/4 -20 x 2 1/4" |
| 02-2290 | 1 | 1/4 -20 UNC x 1 1/4" FLAT HEAD SC SCREW SS |
| 02-3015 | 2 | SELF THREADING x 3/4" LENGTH ROUND HEAD PHILLIPS SCREW |
| 02-3055 | 2 | SCREW, SET, 1/4 -28 UNF x 1/4 |
| 02-9210 | 2 | 3/8 -16 UNC x 1 Bolt |
| 02-9250 | 1 | 3/8 -16 UNC x 2 1/4 Bolt |
| 03-1035 | 3 | 3/8" Lock Nut |
| 03-1055 | 8 | 1/2" Nylon Insert Lock Nut-Thin |
| 03-1067 | 1 | 5/8" Lock Nut |
| 03-2020 | 2 | 1/4" Lock Nut |
| 03-4290 | 2 | 1/4" Whiz Nut |
| 03-5112 | 1 | 3/8" Jam Nut |
| 04-5070 | 6 | RUBBER WEIGHT STACK BUMPER |
| 04-5206 | 10 | WASHER, FLAT, 3/8" SAE |
| 04-5207 | 5 | WASHER, FLAT, 1/2" SAE |
| 04-5225 | 2 | 1/4" Internal Loc Washer |
| 05-5105 | 2 | .500 ID Bushing (IGUS Replacement) |
| 06-8180 | 1 | Snap Ring, 1/2" External |
| 06-8275 | 6 | Snap Ring, 17mm Heavy External |
| 07-5032 | 1 | SEAT TRACK |
| 07-5033 | 1 | SEAT TRACK BACK |
| 07-5034 | 3 | SEAT ROLLERS |
| 07-5064 | 6 | 6203 RADIAL BEARING |
| 07-8230 | 1 | STANDARD SEAT CLEVIS PIN |
| 07-8363 | 2 | IDLER PULLEY SPACER |
| 07-8686 | 1 | STANDARD SEAT 0 degree |
| 07-8982 | 2 | STRAP CLAMP END (5/16 HOLES) |
| 07-9269 | 1 | WEIGHTSTACK SPACER |
| 07-9350 | 1 | MOVEMENT ARM STOP |
| 07-9376 | 3 | SEAT ROLLER SLEEVE |
| 07-9607 | 2 | MOLDED BEARING CUP |
| 07-9771 | 2 | IDLER PULLEY SPACER |
| 07-9820 | 1 | Long Bearing Spacer |
| 07-9849 | 1 | MOLDED BEARING CAP, TI SERIES |
| 07-9850 | 2 | 1" BEARING MOLDED FLANGE |
| 07-9873 | 1 | MOLDED BEARING CAP WITH HOLE |
| 07-9923 | 1 | PC OUTER WORKBOX PLATE |
| 07-9942 | 1 | PC COUNTERWEIGHT |
| 07-9943 | 1 | PC COUNTERWEIGHT |
| 08-5096 | 1 | SEAT RACK BUSHING |
| 09-1004 | 1 | .500 ID X 3" CLOSED END |
| 09-1059 | 1 | 1.188 I.D. X .125" Wall X 25" Grip |
| 09-2060 | 4 | 1 1/2 X 3 11 GA FRAME PLUG |
| 09-2090 | 1 | 2 X 3 X 11 GA FRAME PLUG |
| 09-3078 | 2 | BLACK HOLE PLUG MP-1093 |
| 09-5046 | 4 | Nitro Plus Footpad |
| 09-8000 | 1 | Belt Keeper |
| 09-8018 | 2 | GUIDE ROD BUSHING |
| 09-8025 | 1 | VINYL CAP 1" ID X 1/2" LONG RED |
| 09-8330 | 1 | REDIRECTIONAL PULLEY 4" |
| 09-9515 | 1 | GRIP CAP 1.280 ID (FOR 1 1/4 BAR) |
| 09-9545 | 1 | GRIP RING 1.313 ID (FOR 1 1/4" BAR) |
| 09-9600 | 1 | TUBE INSERT 1.010 ID PN3045-4-1 |
| 10-1022 | 1 | Extension Spring |
| 10-1025 | 1 | SPRING, TORSION |
| 12-1001 | 1 | SEAT INDICATOR BLACK |
| 12-1026 | 2 | DECAL, KEEP HANDS AWAY |
| 12-1104 | 1 | SEAT ADJUSTMENT DECAL 1-11 |
| 12-1146 | 1 | SEAT ADJ DECAL 1 |
| 12-1380 | 1 | DECAL PATENT MEDFIT MADE IN USA |
| 12-5611 | 1 | Nautilus Transfer Decal - Large BLACK |
| 12-6046 | 1 | Made In USA - Seat Frames |
| 12-6060 | 1 | PLACARD & SHIELD FRONT S9PC |
| 12-6071 | 1 | PLACARD & SHIELD BACK BF601 S9 |
| 12-6115 | 1 | Decal, Parts Diagram EVO PC |
| 12-7050 | 1 | EVO Weight Selector Pin Decal |
| 17-1260 | 2 | STANDARD 45" GUIDE ROD |
| 18-0005 (63") | 1 | MECTROL BELT 1" (63") |
| 19-1013 | 4 | TAPE DBL SIDED 2 3/4" WIDE |
| 19-1291 | 1 | SERIAL NO. DECAL |
| 56-0429 | 2 | Movement Arm Sleeve Spacer |
| 56-0558 | 1 | Foot Guard, SS, 10" |
| 57-0611 | 1 | Pocket, Peel & Stick, Cardio Schematic |
| 91-999 | 1 | Paint (1.5 lbs) |
| 95-0765 | 1 | Kit 9, EVO Shields |
| BF601 | 1 | SIDE FRAME |
| BSF651 | 1 | ARM BRACE ASSEMBLY |
| LK631 | 1 | BELT CLAMP |
| MA657 | 1 | S5PC MOVEMENT ARM |
| MA664 | 1 | 3D PREACHER CURL ARM |
| OPT-WT-26 | 1 | EVO 200 lb Weight System |
| SE613 | 1 | RELEASE HANDLE |
| SF652 | 1 | PREACHER CURL SEAT FRM |
| UP721 | 1 | SLIPCOVER FOR UP9907 |
| UP8080 | 2 | TAPERED SEAT PAD |
| UP9907 | 1 | ELBOW PAD UPH |

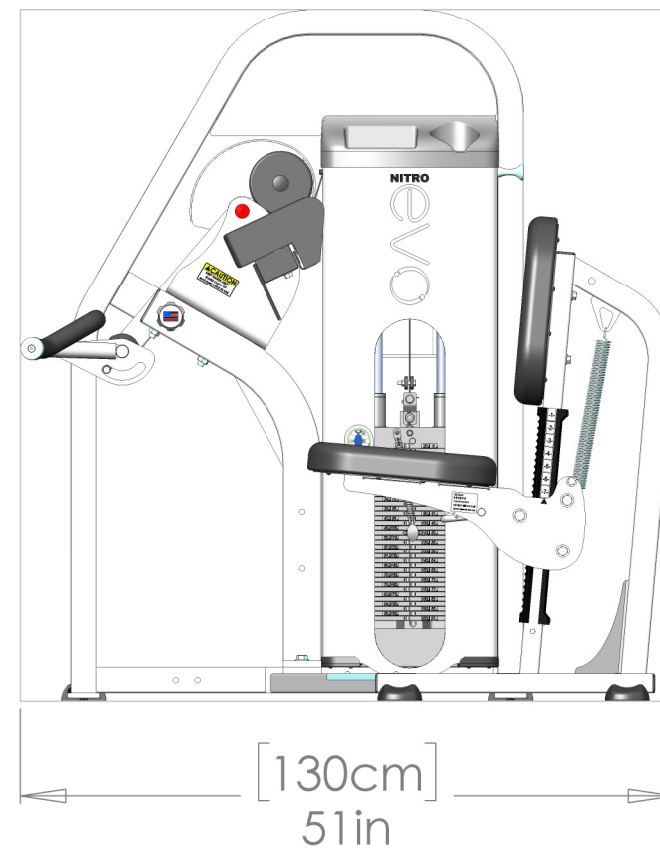
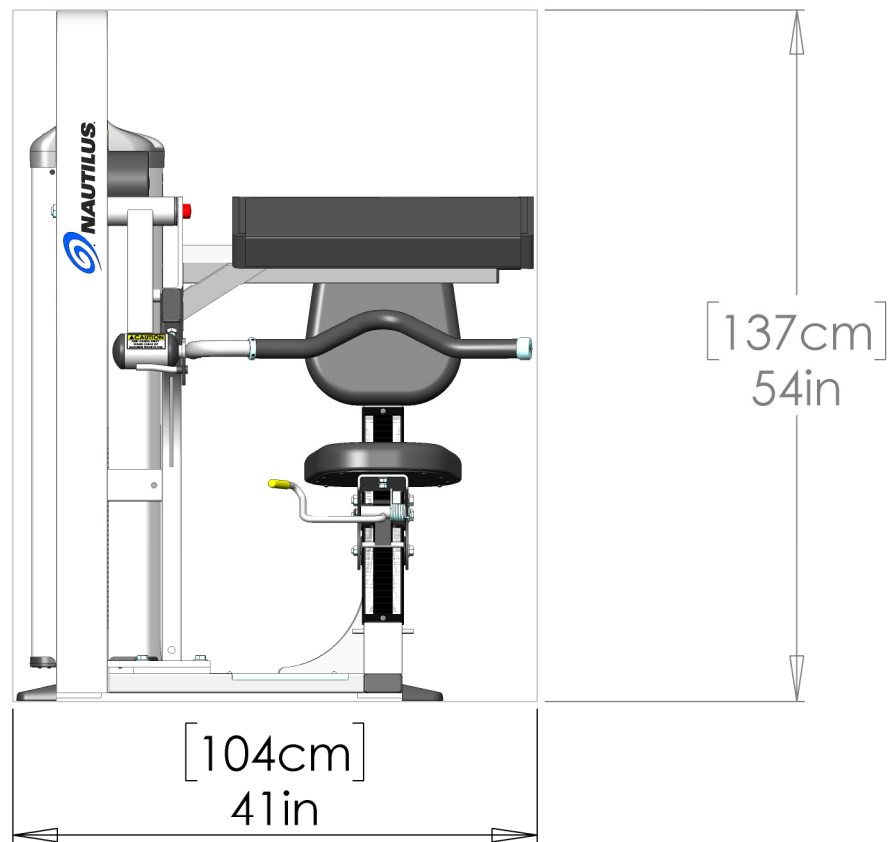
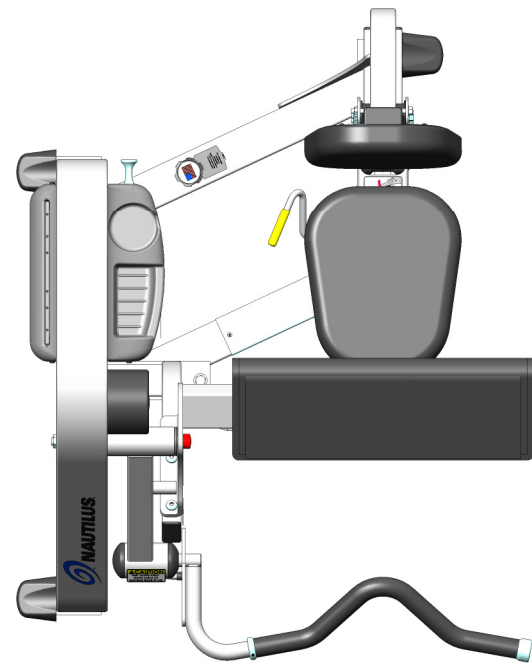


EVO Preacher Curl S9PC

Customer Service & Parts 800/ 235-2233
 General Parts Requests: parts@medfitsys.com
 Warranty Field Service Requests: servicerequest@medfitsys.com
 Med-Fit Systems, Inc. 800/ 831-7665

www.medfitsystems.com

| Bolt Torque Specifications | Grade 5 | | Grade 8 | |
|----------------------------|---------|-----------------|---------|-----------------|
| | Size | Torque (ft-lbs) | Size | Torque (ft-lbs) |
| 1/4-20 | 8 | 12 | | |
| 1/4-28 | 10 | 14 | | |
| 5/16-18 | 17 | 25 | | |
| 3/8-16 | 30 | 45 | | |
| 7/16-14 | 50 | 70 | | |
| 1/2-13 | 75 | 110 | | |
| 1/2-20 | 90 | 120 | | |
| 5/8-11 | 150 | 220 | | |
| 5/8-18 | 180 | 240 | | |



Customer Service & Parts 800/ 235-2233
General Parts Requests: parts@medfitsys.com
Warranty Field Service Requests: servicerequest@medfitsys.com
Med-Fit Systems, Inc. 800/ 831-7665

www.medfitsystems.com

EVO Preacher Curl
S9PC
REV M